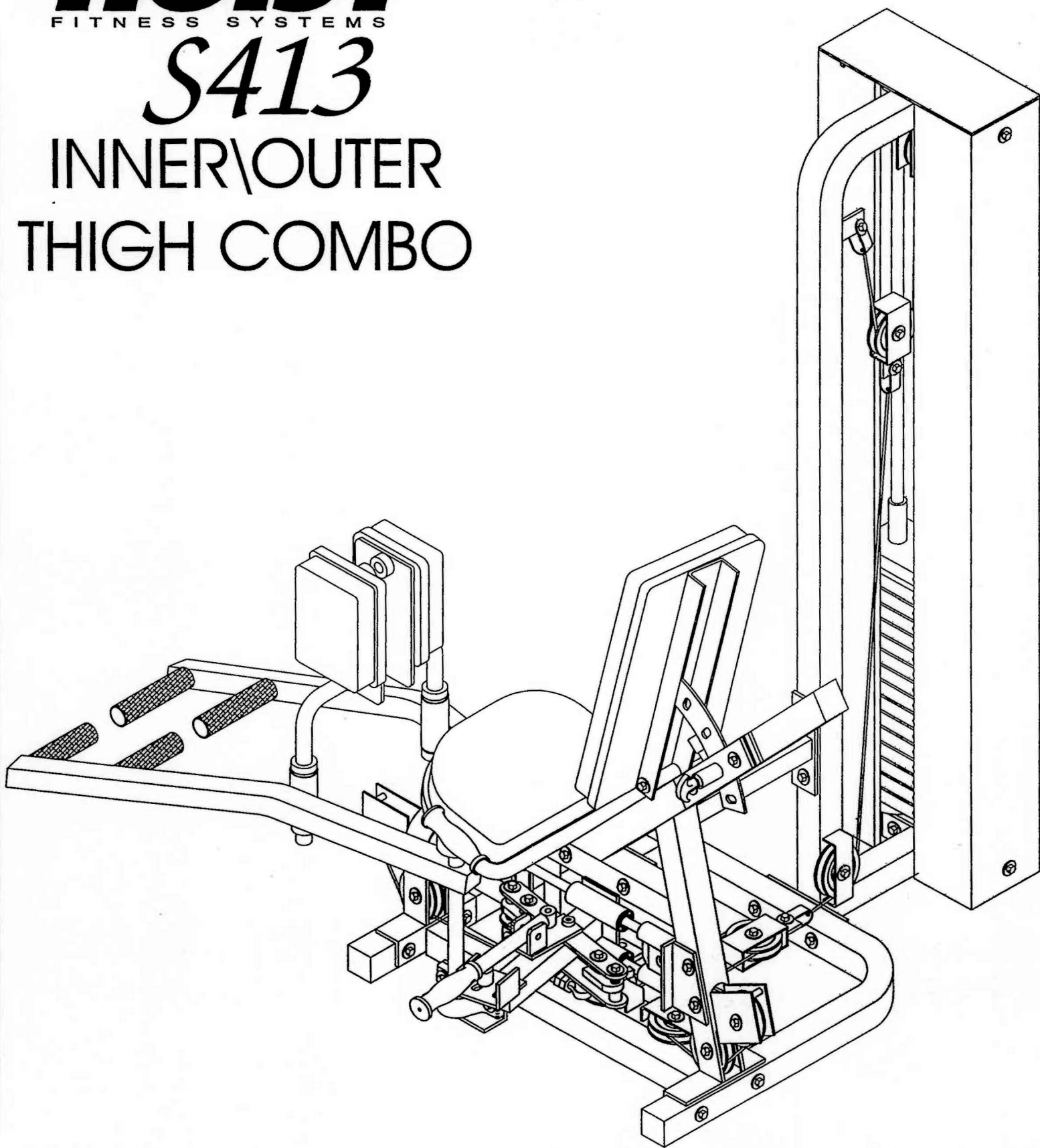


HOIST[®]
FITNESS SYSTEMS

S413

INNER\OUTER
THIGH COMBO

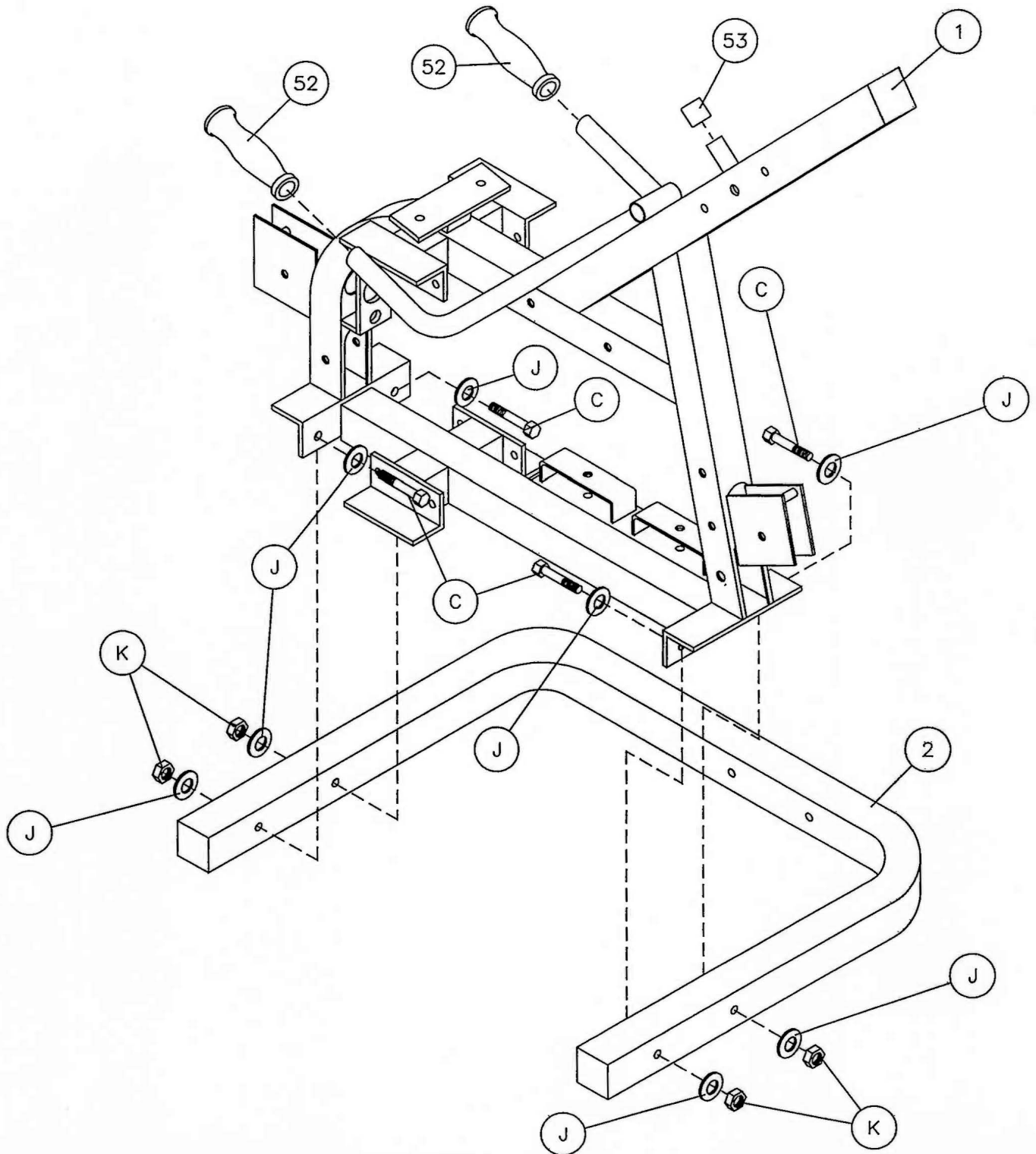


CUSTOMER CATALOG

APRIL '95

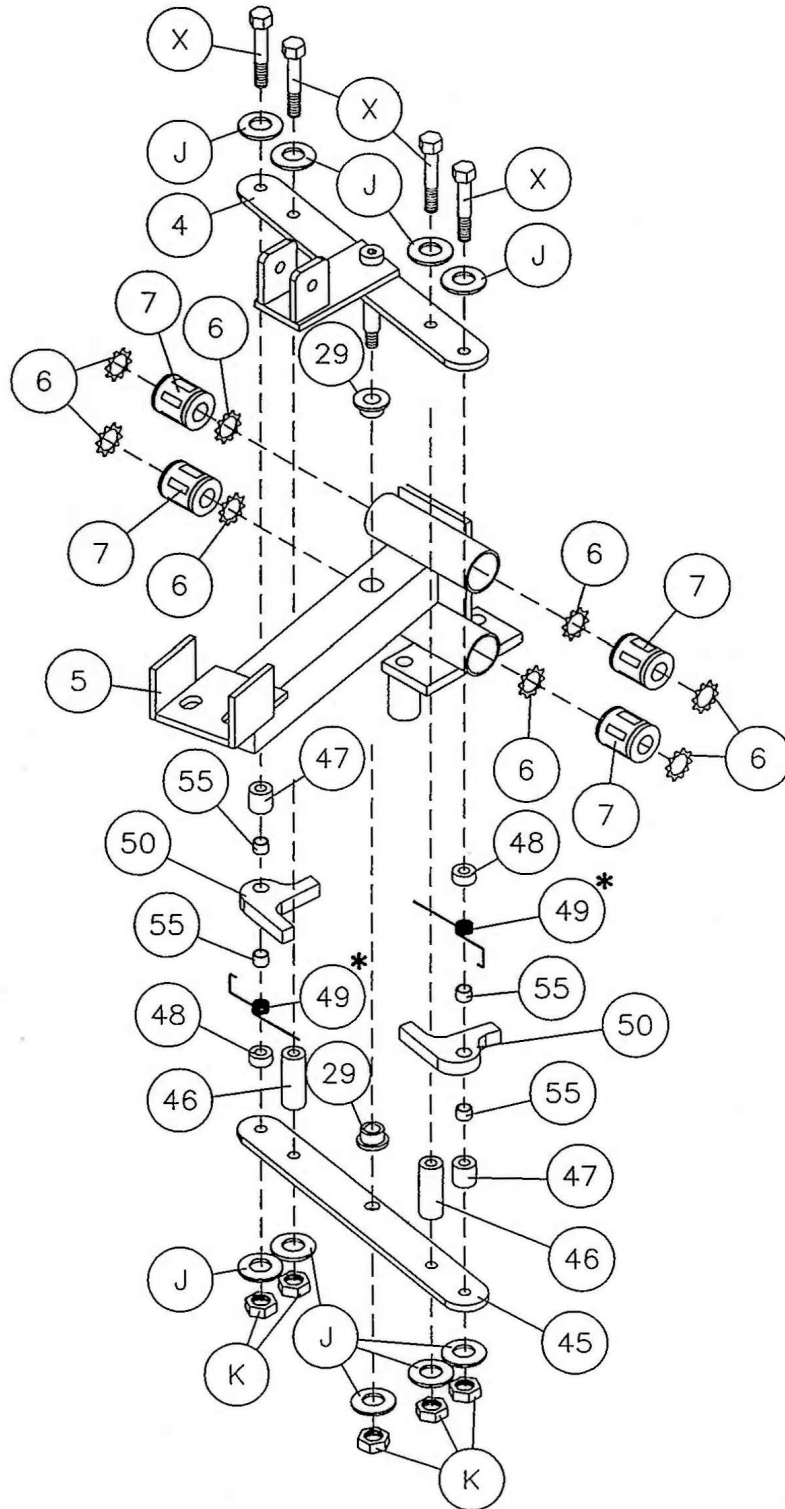
S413

INNER/OUTER THIGH COMBO



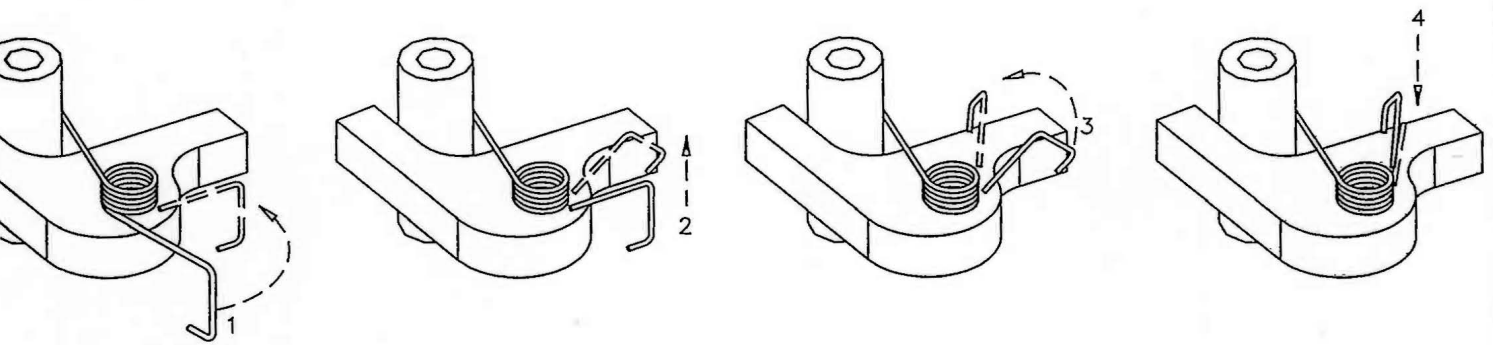
S413

INNER/OUTER THIGH COMBO



S413

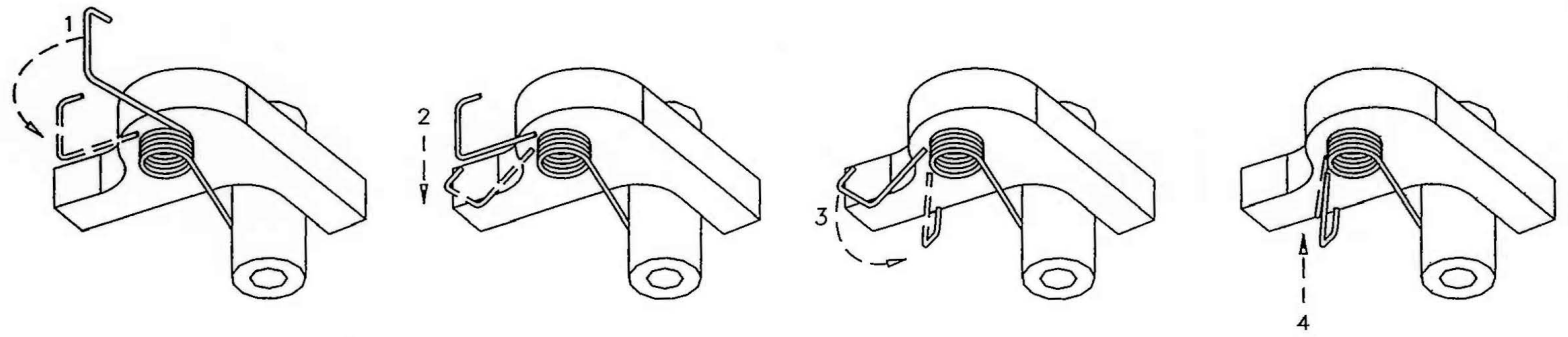
INNER/OUTER THIGH COMBO



RIGHT SIDE, TOP VIEW

S413

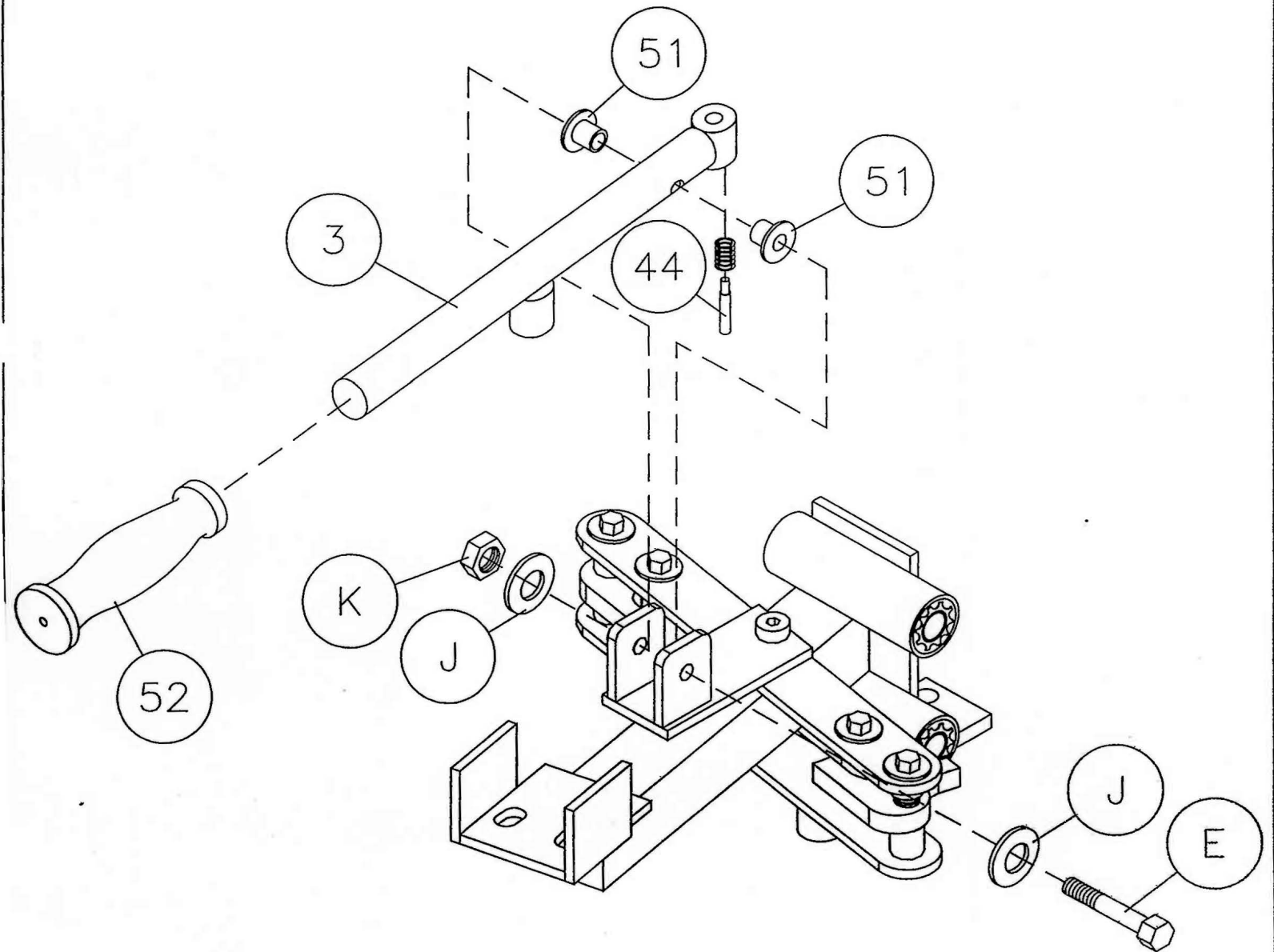
INNER/OUTER THIGH COMBO



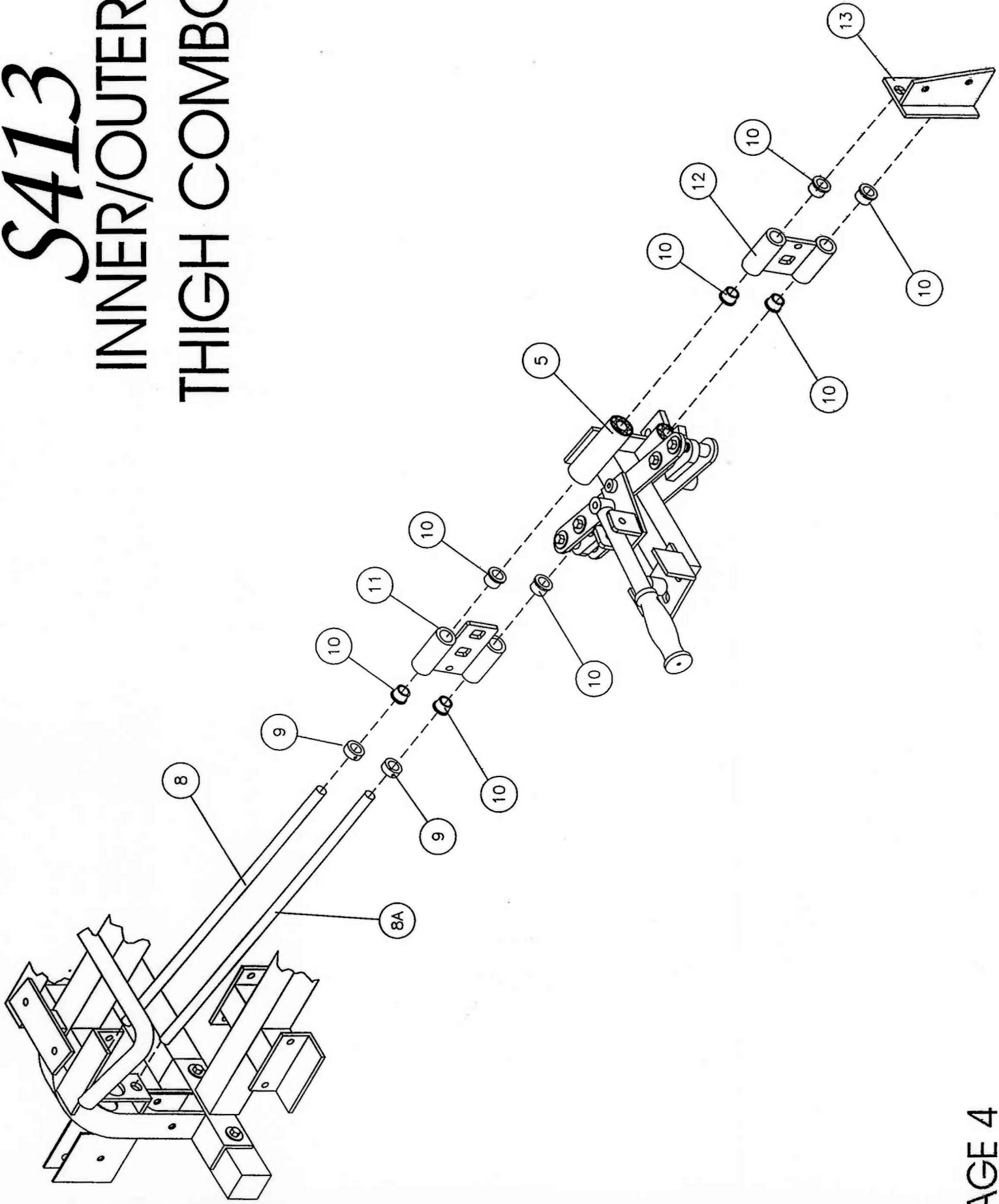
LEFT SIDE, BOTTOM VIEW

S413

INNER/OUTER THIGH COMBO

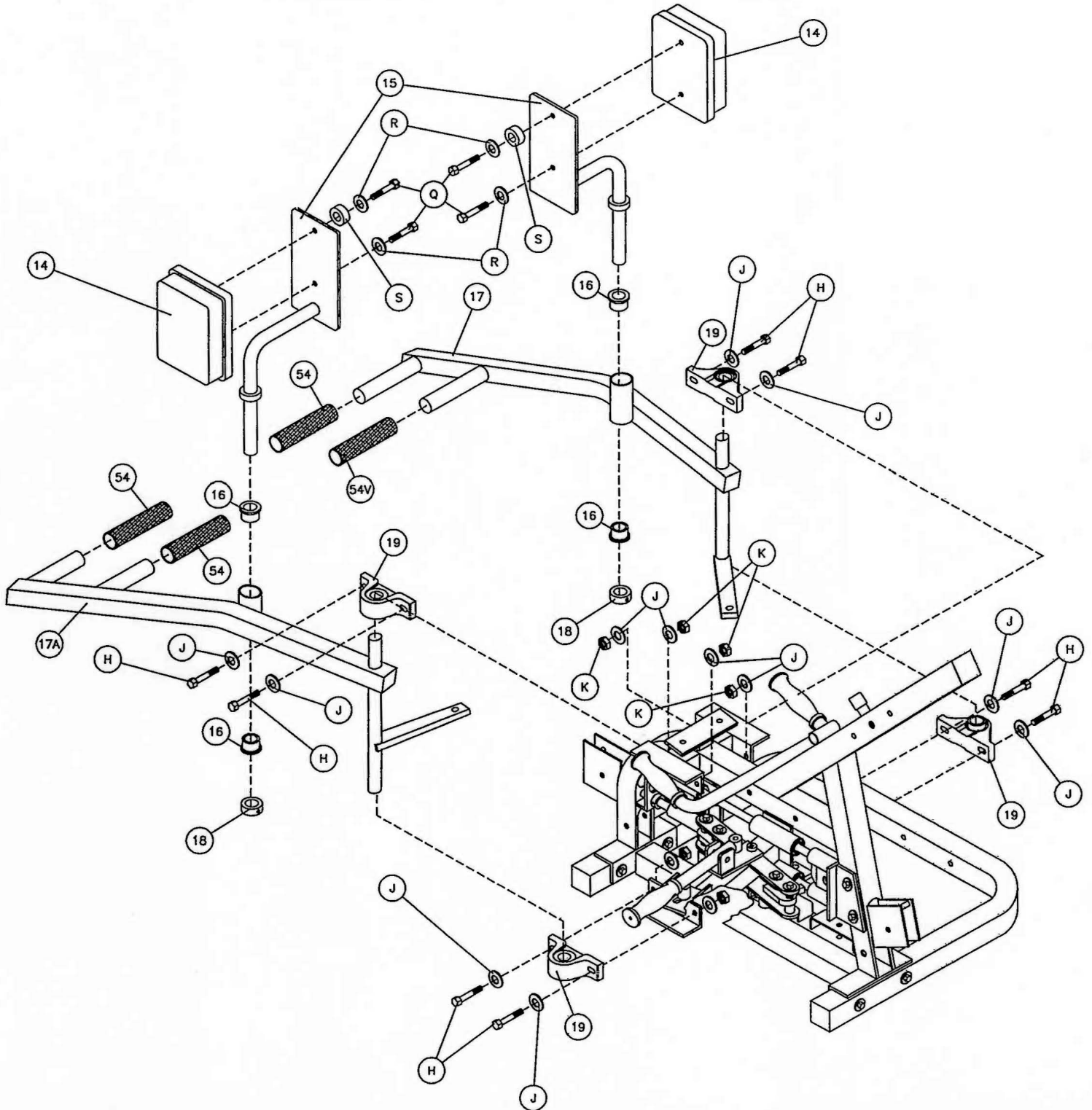


S413 INNER/OUTER THIGH COMBO



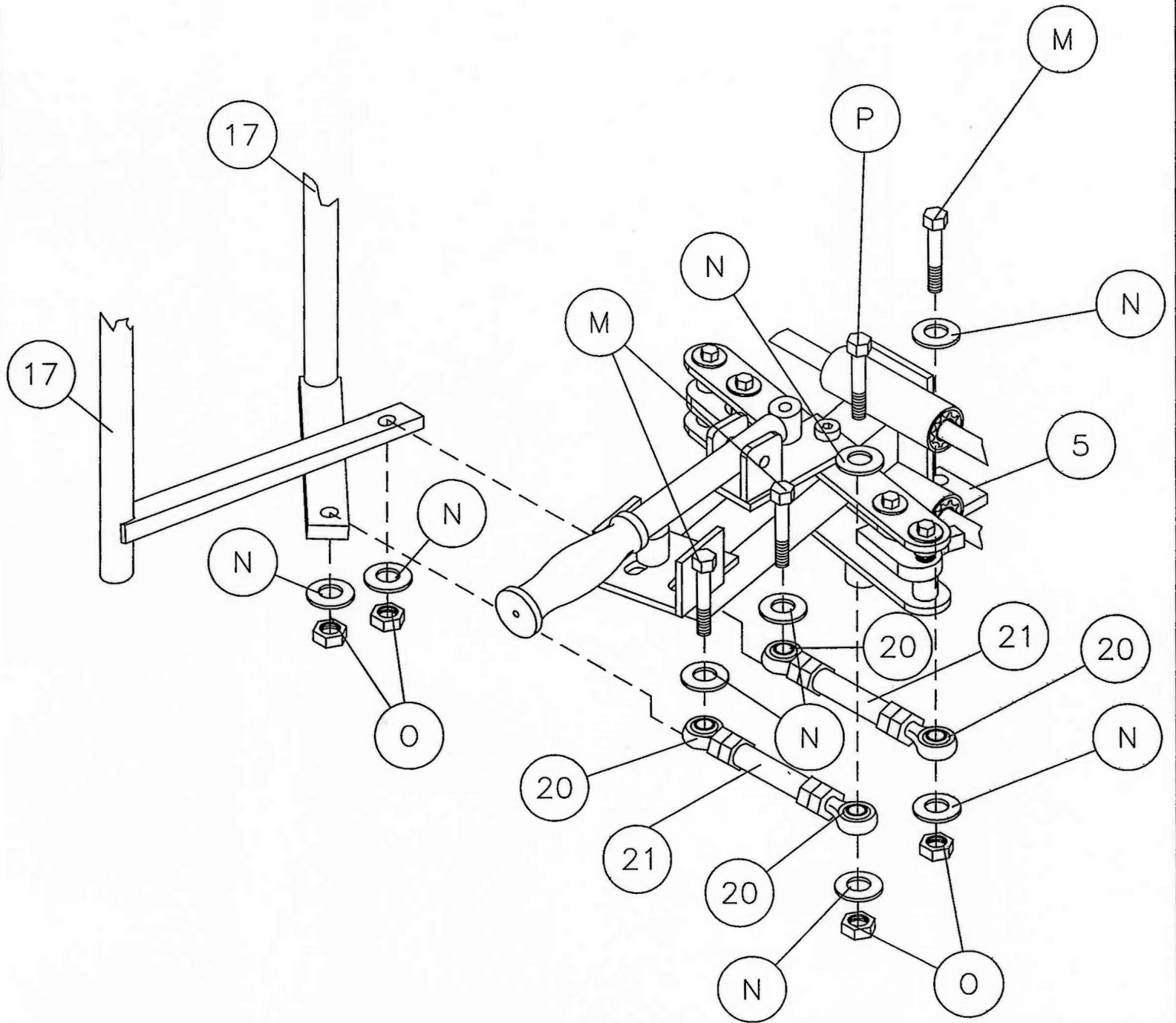
S413

INNER/OUTER THIGH COMBO



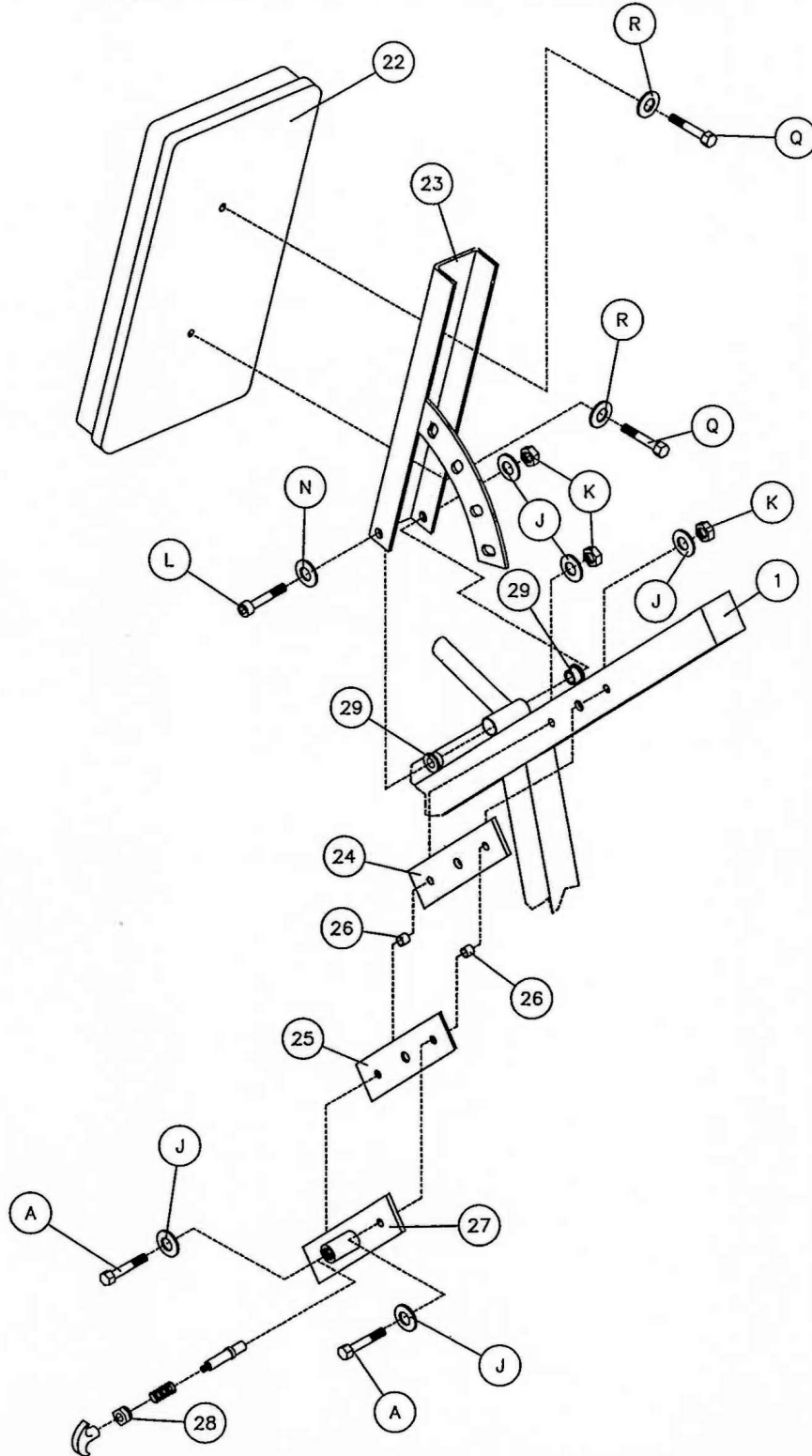
S413

INNER/OUTER THIGH COMBO



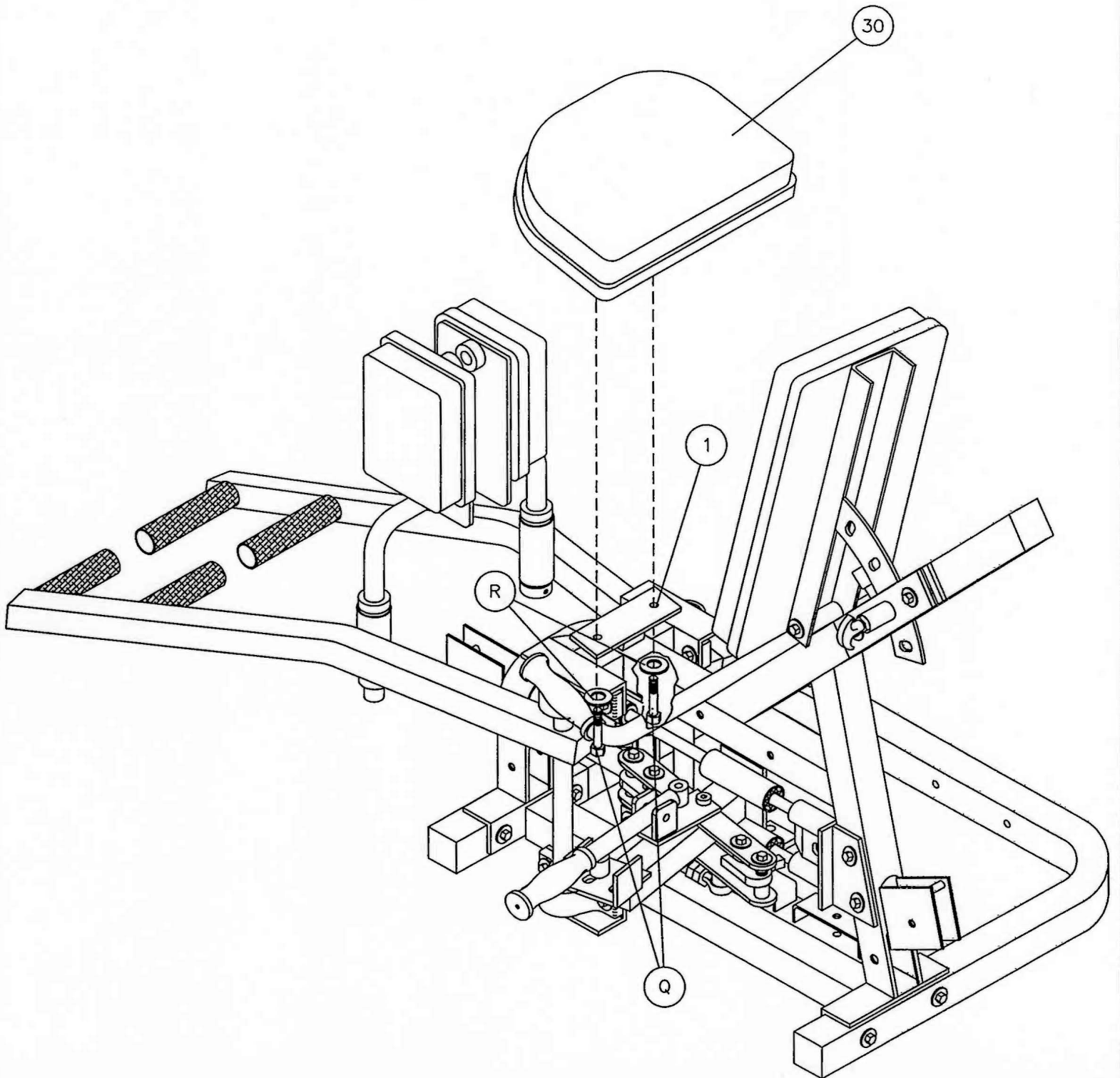
S413

INNER/OUTER THIGH COMBO



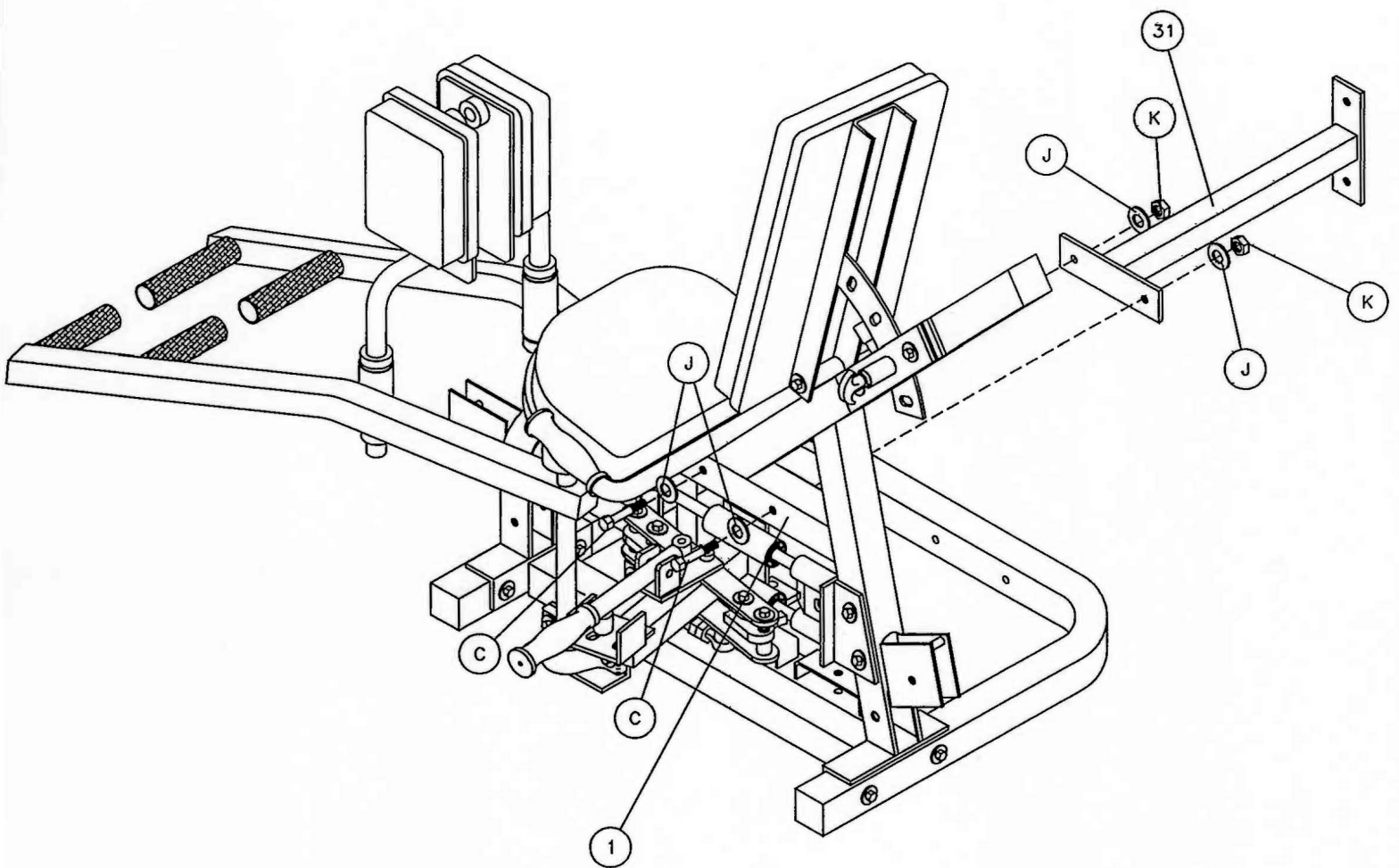
S413

INNER/OUTER THIGH COMBO



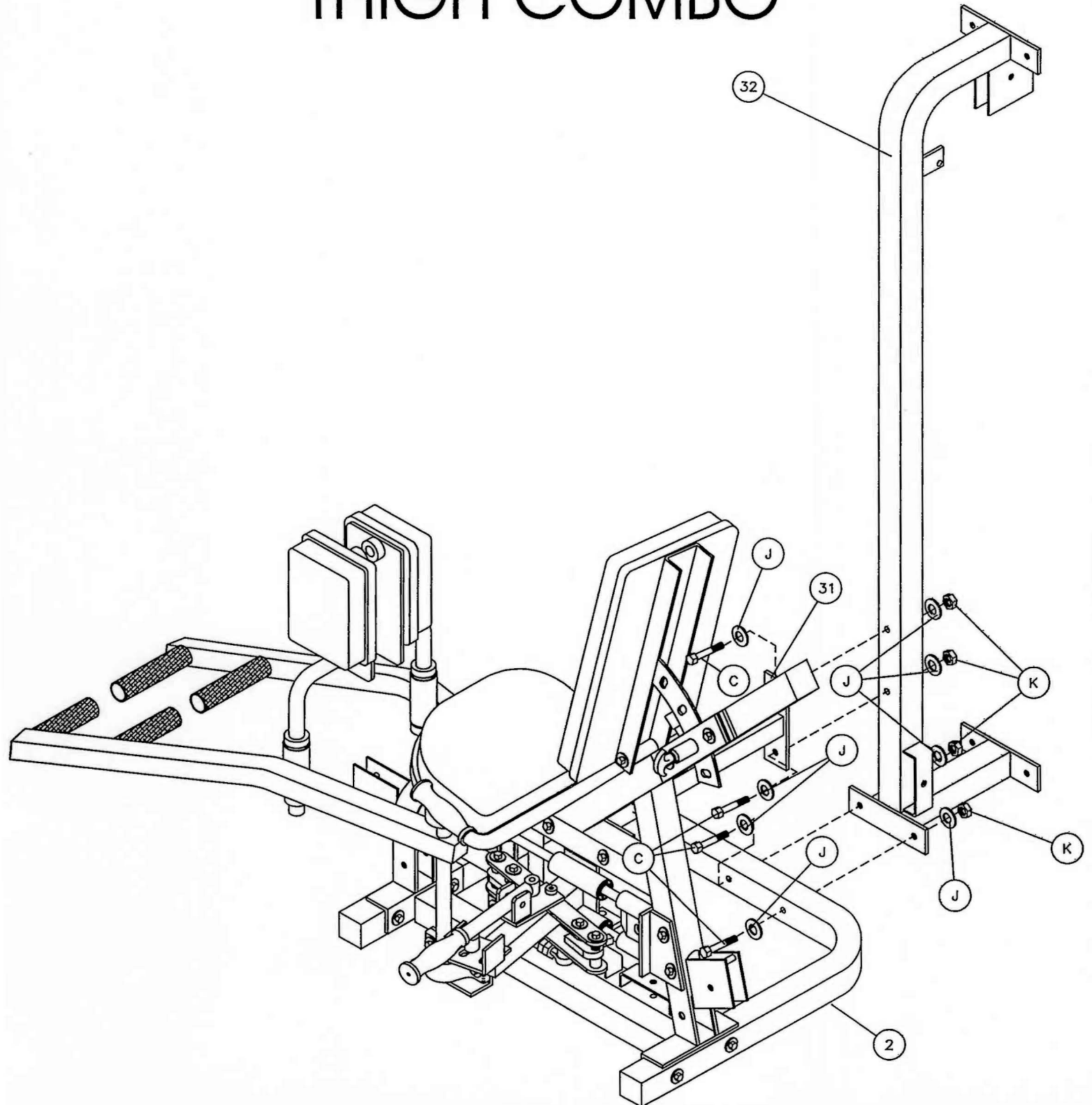
S413

INNER/OUTER THIGH COMBO



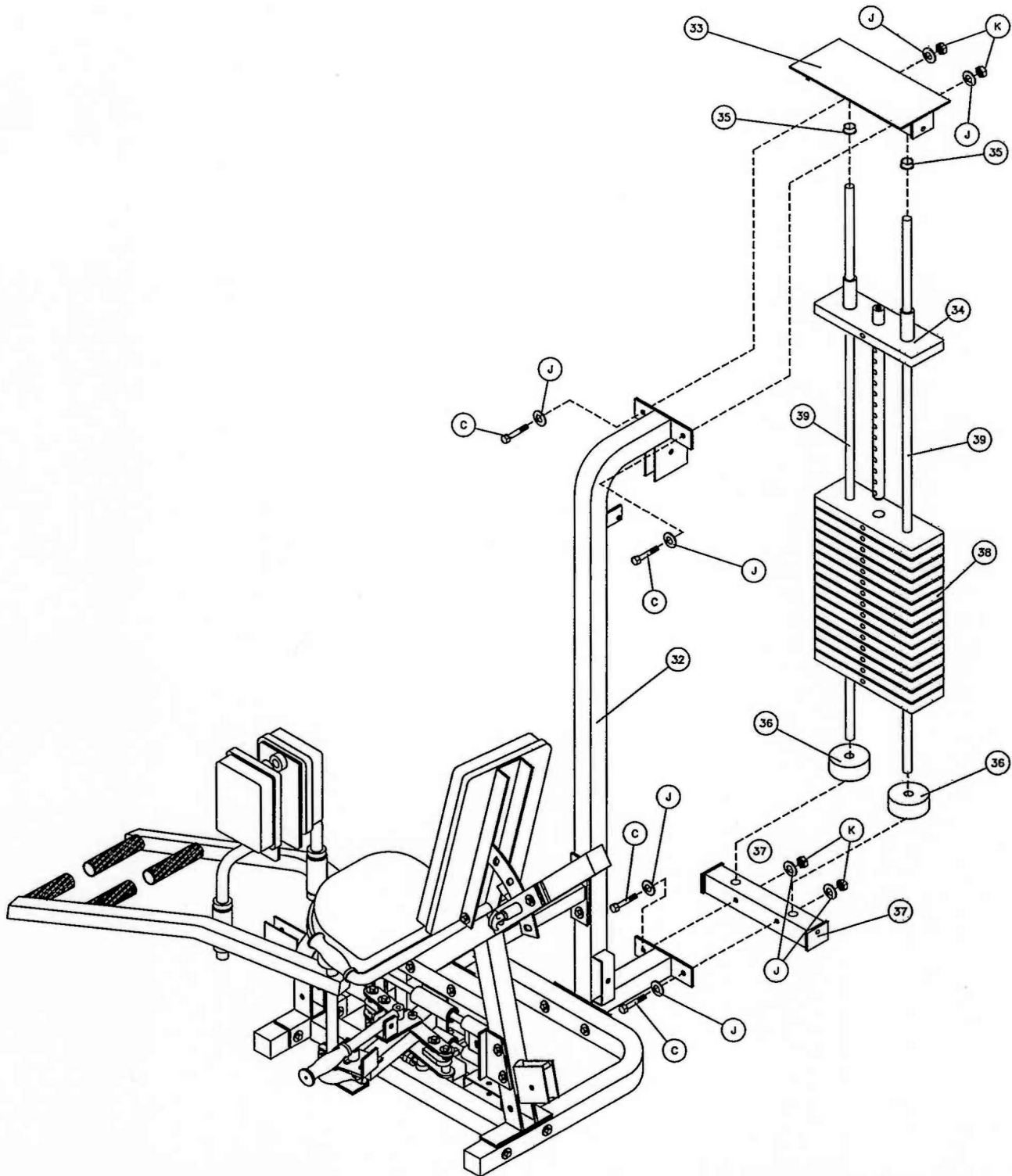
S413

INNER/OUTER THIGH COMBO



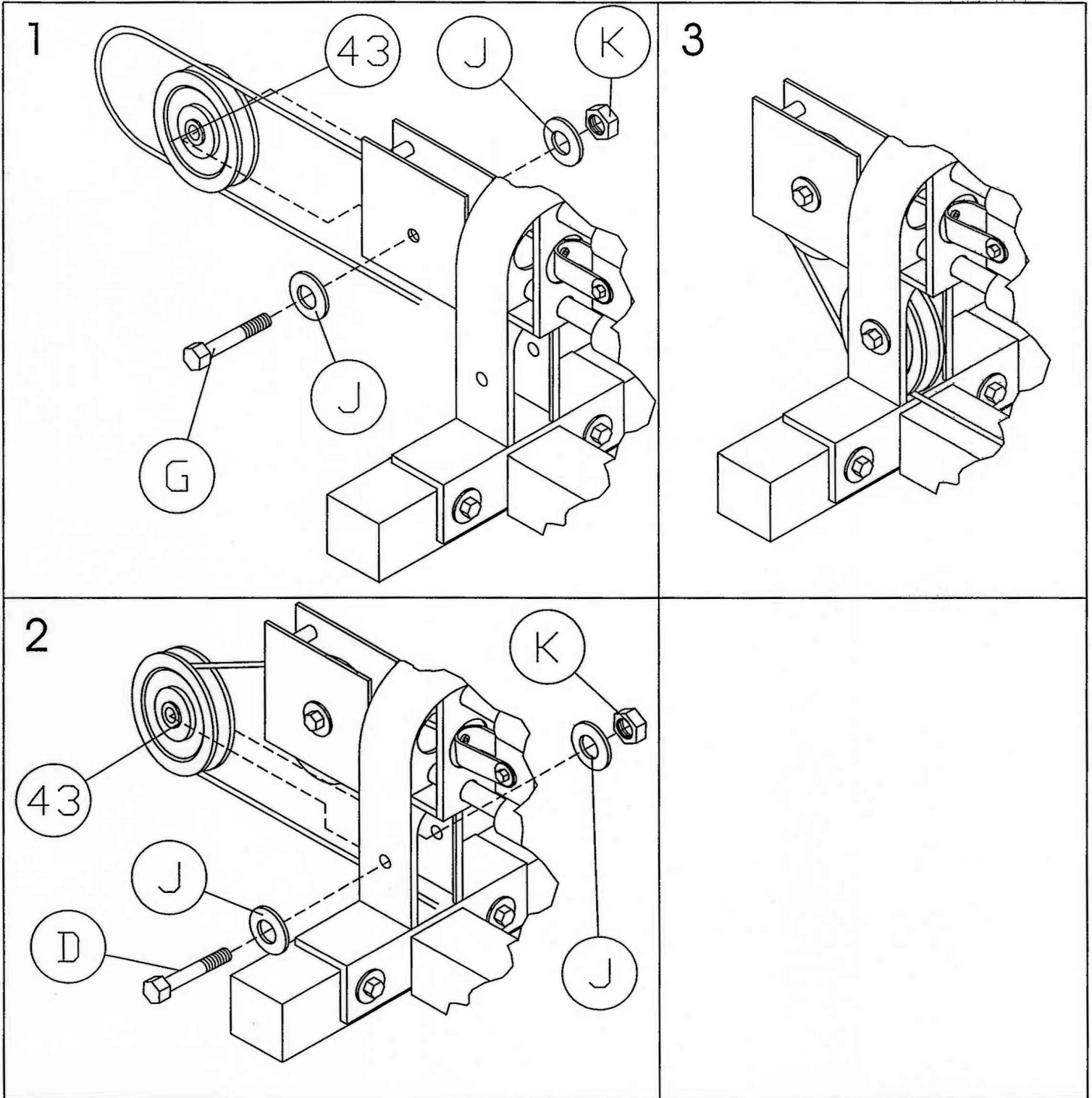
S413

INNER/OUTER THIGH COMBO



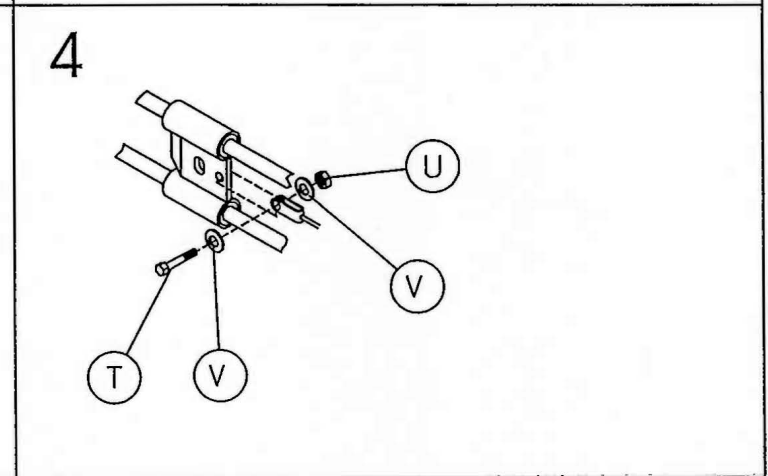
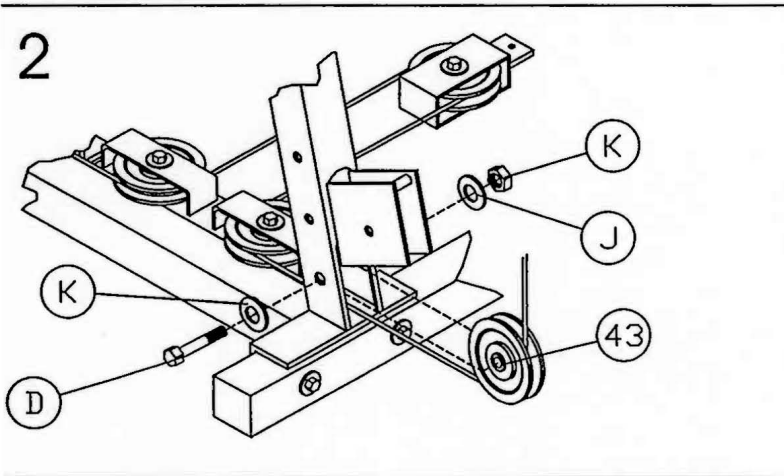
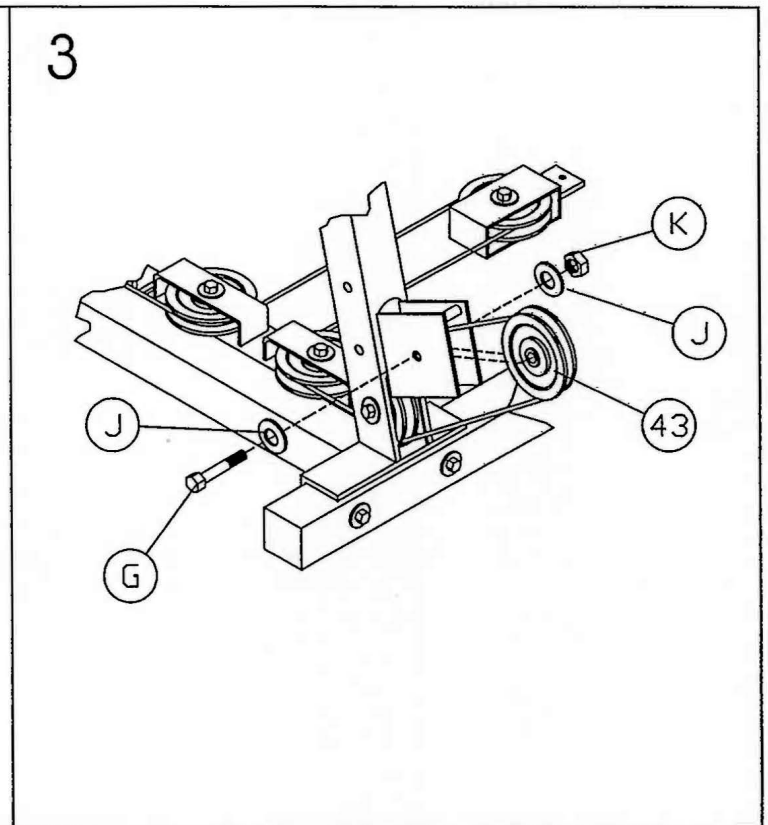
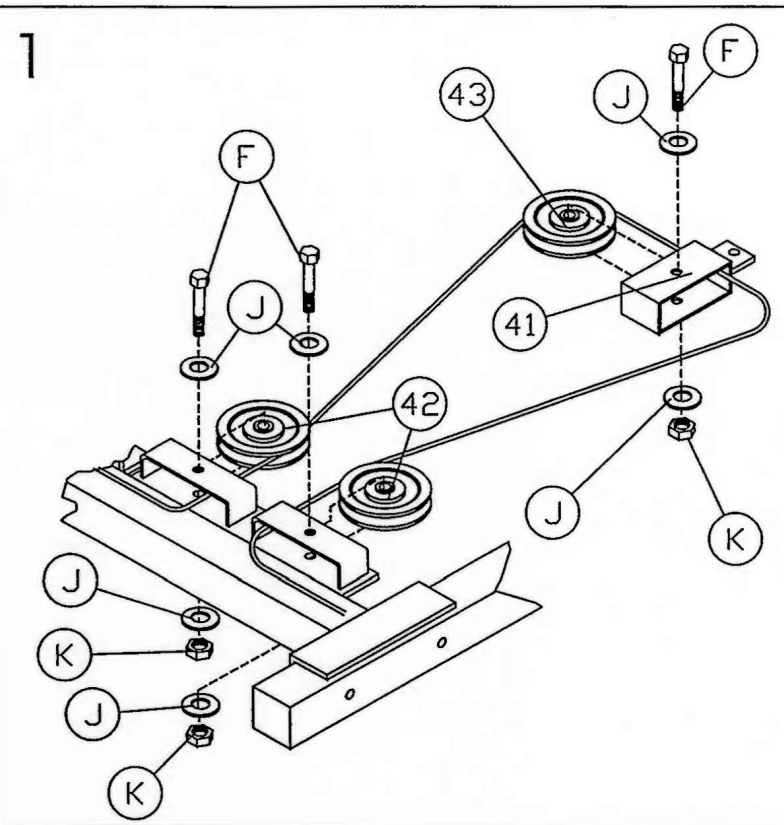
S413

INNER/OUTER THIGH COMBO



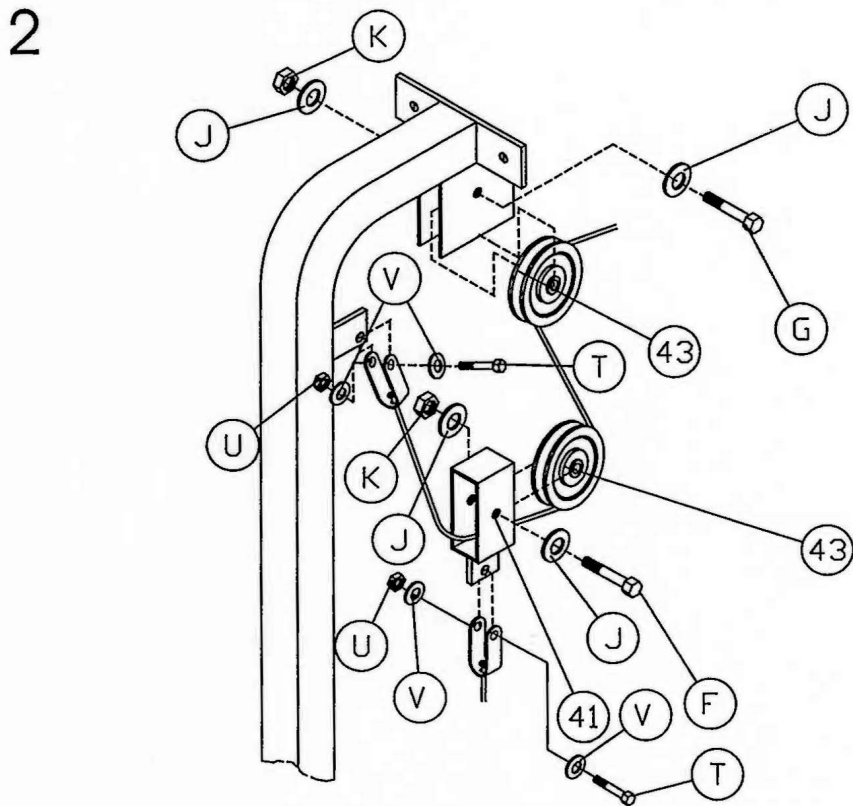
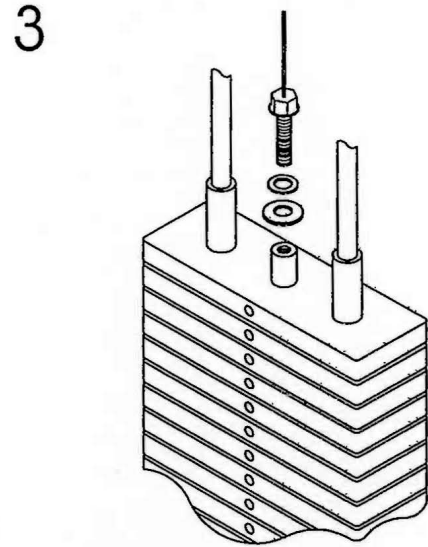
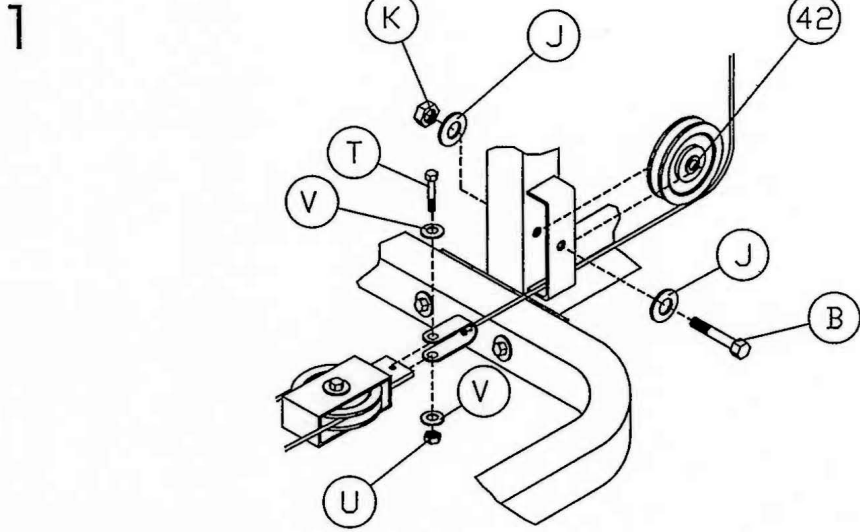
S413

INNER/OUTER THIGH COMBO



S413

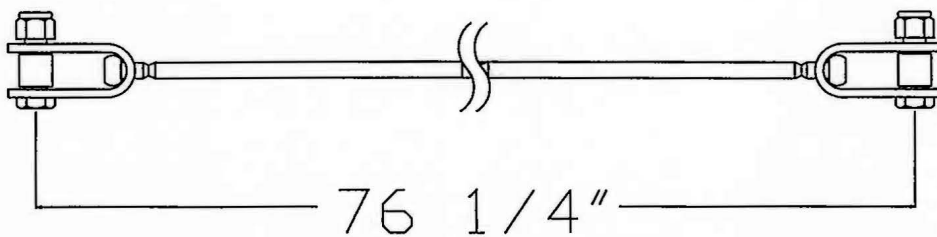
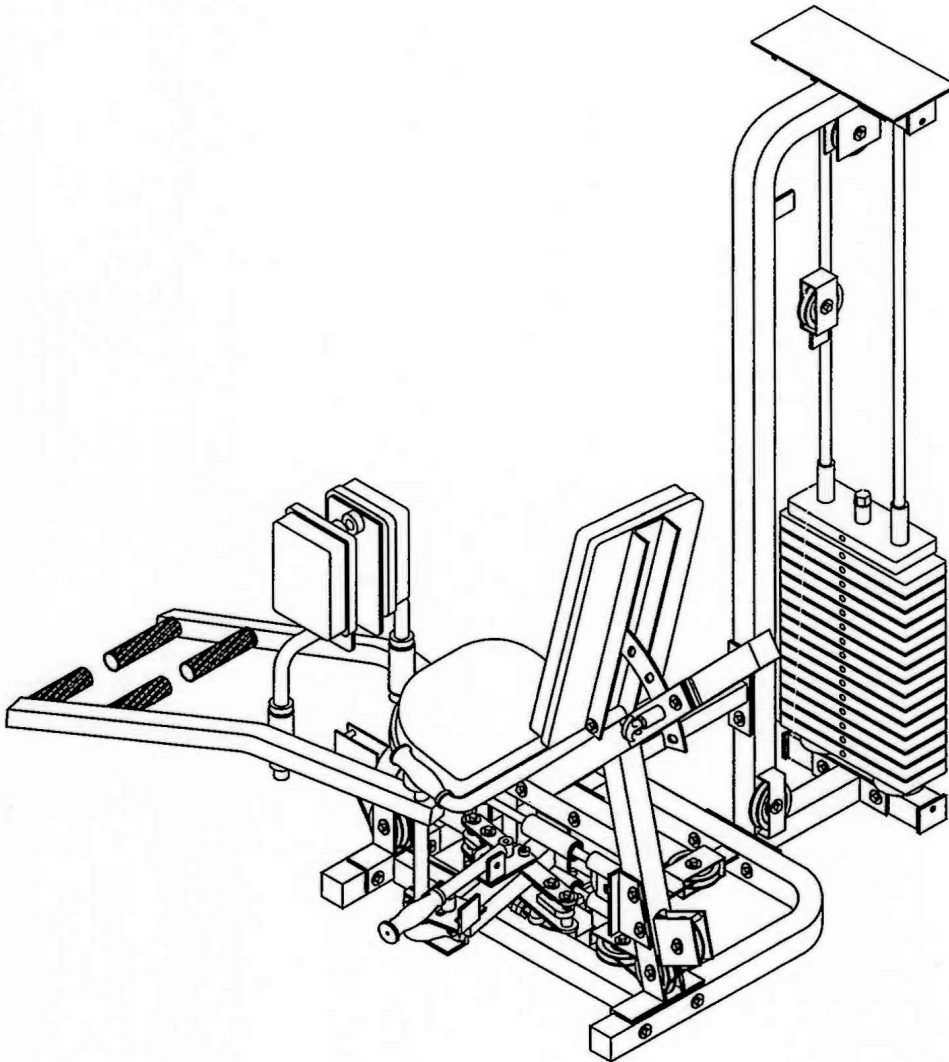
INNER/OUTER THIGH COMBO



S413

INNER/OUTER THIGH COMBO

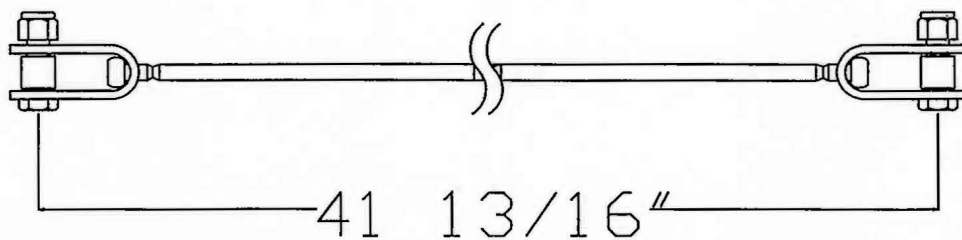
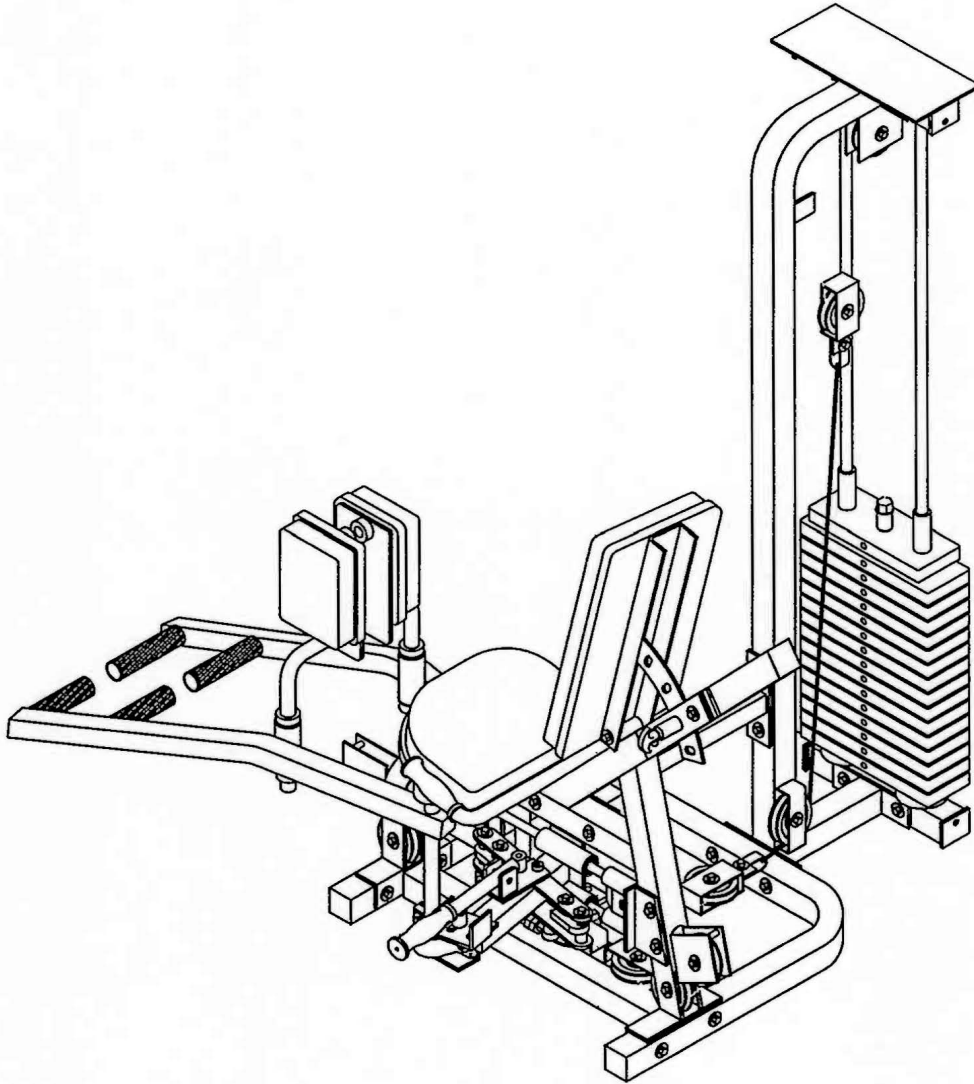
FRAME **CABLE**



S413

INNER/OUTER THIGH COMBO

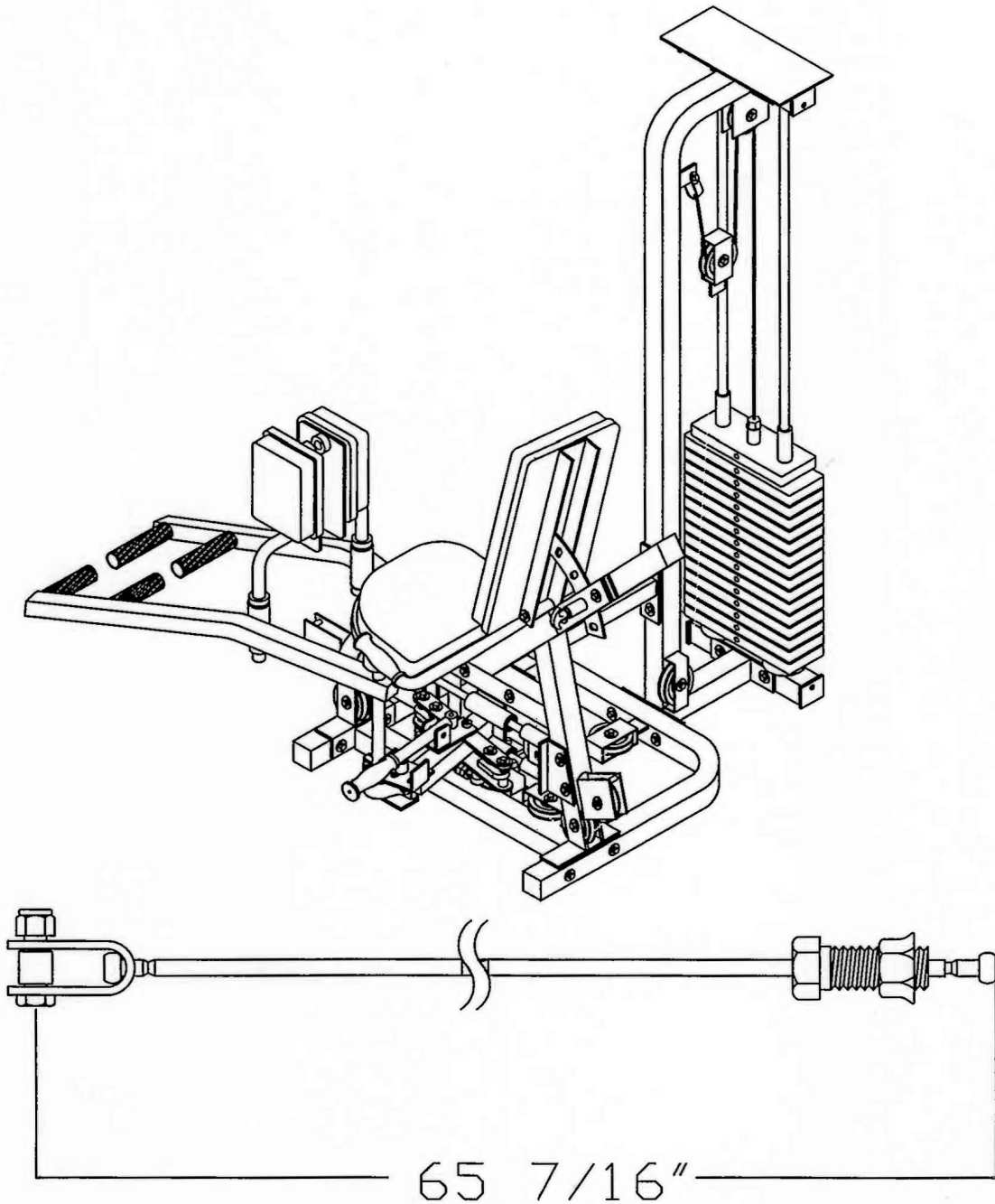
UPRIGHT **CABLE**



S413

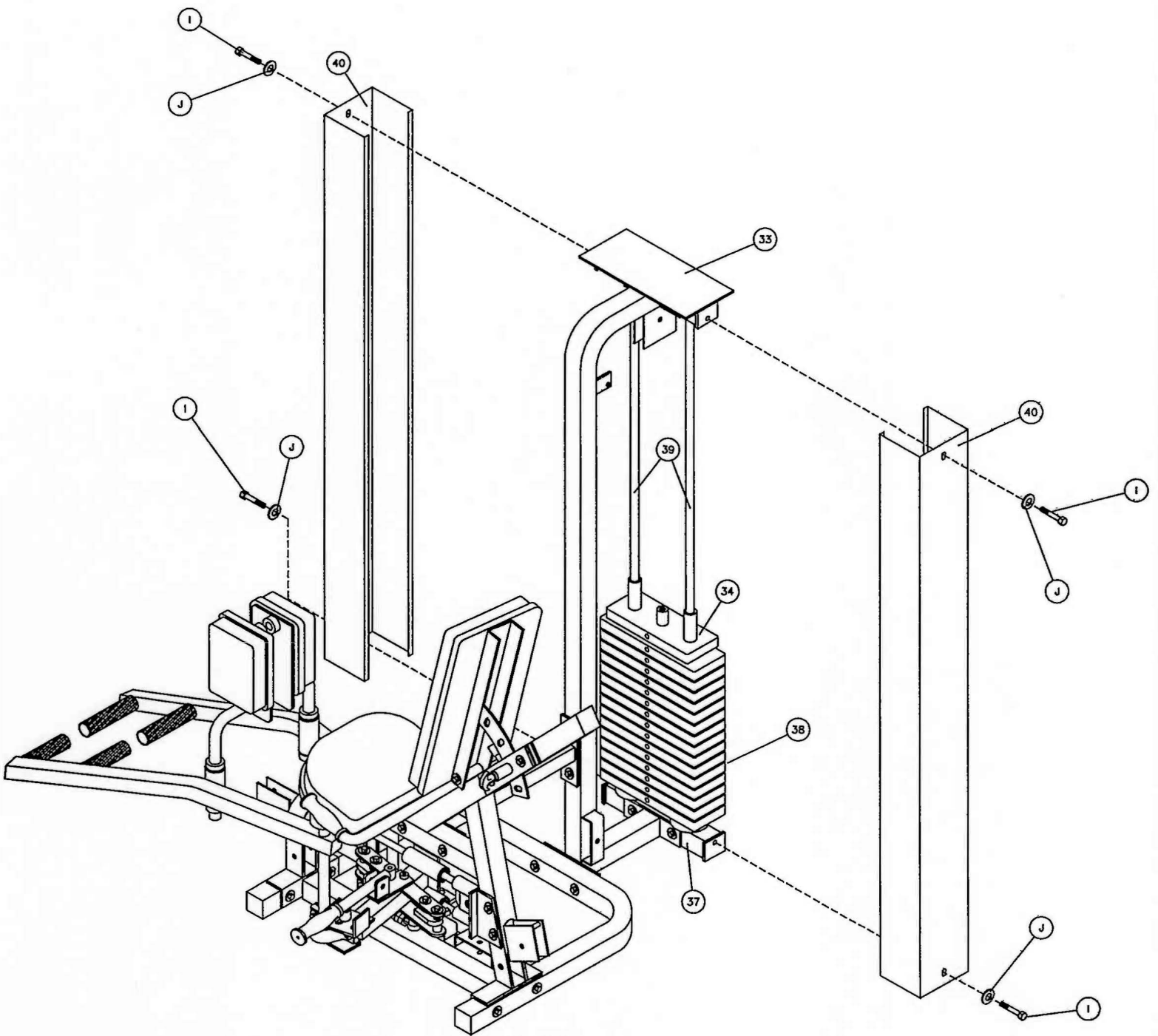
INNER/OUTER THIGH COMBO

WEIGHT **CABLE**



S413

INNER/OUTER THIGH COMBO



PARTS LIST

Key No.	Qty.	Part Number	Description
1	1	61-S413-11	SEAT ASSEMBLY
2	1	61-S413-18	BASE FRAME
3	1	61-S413-17	ACTUATOR HANDLE
4	1	61-S413-14B	ACTUATOR
5	1	61-S413-11	LINEAR SLIDE
6	8	THOMSON #PR625	PUSH - IN INTERNAL RETAINING RING
7	4	SUPER 10	SUPER BALL BUSHING BEARING
8	1	61-STD-SG108	21 1/4"x5/8" DIA. INDUCTION HRDND ROD
8A	1	61-STD-SG109	22 1/2"x5/8" DIA. INDUCTION HRDND ROD
9	2	14-SCC-58	5/8" SHAFT COLLAR
10	8	IGUS #MF-1013-16	PLASTIC FLANGED BUSHING
11	1	61-S413-12	ADDUCTION PULL
12	1	61-S413-13	ABDUCTION PULL
13	1	61-S413-15	LINEAR SHAFT MOUNT
14	2	61-STD-SU608	THIGH PADS 6" x 8"
15	2	61-S413-07	THIGH PAD MOUNT
16	4	DA0007	1" TURCITE
17	1	61-S413-08	ARM ASSEMBLY (RIGHT LEG)
17A	1	61-S41309	ARM ASSEMBLY (LEFT LEG)
18	2	14-SCC-1	1" SHAFT COLLAR
19	4	14-BRD-RAD1PILP	PILLOW BEARING
20	4	14-END-M1220	TIE ROD END (MALE)
21	2	61-S413-16	TIE ROD TUBE
22	1	61-STD-SU1020	BACK PAD 10" x 20"
23	1	61-S413-19	ADJUSTABLE BACK PAD MOUNT
24	2	61-STD-PLAS124	1/4" x 2" x 6" PLASTIC FLANGE
25	2	61-STD-PLAS123	1/8" x 2" x 6" PLASTIC FLANGE
26	1	14-SPC-12(38)	1/2" PULLEY SPACER
27	1	61-S413-10	PULL-PIN ASSY FOR BACK PAD ADJUST
28	1	61-STD-SM128	PULL-PIN
29	4	14-OIL-12	1/2 OILITE

PARTS LIST

Key No.	Qty.	Part Number	Description
30	1	61-STD-SU1114	SEAT PAD 11" x 14"
31	1	61-S41303	CROSSMEMBER
32	1	61-S41302	WEIGHT UPRIGHT
33	1	61-S41204	WEIGHT STACK TOP
34	1	61-STD-SWTOP-1	8 1/2 LB. TOP WEIGHT PLATE W\STEM
35	2	14-BSH-GRD-34	GUIDE ROD SNAP BUSHING
36	2	19-WSB-12	1/2" RUBBER DONUT
37	2	61-S41205	WEIGHT BASE
38	15	61-STD-SW101	12 1/2 LB. WEIGHT PLATE
39	2	61-STD-SG107	3/4" DIA. x 59 3/4" GUIDE ROD
40	2	61-STD-SSH120	59 3/4" SHIELDS
41	2	26-STD-SX125	FLOATING PULLEY HOUSING
42	3	18-PUL-412	4 1/2" PULLEY
43	7	18-PUL-312	3 1/2" PULLEY
44	3	26-STD-SM100	3/8" SHORT PULL-PIN
45	1	61-S413-14-1	ACTUATOR ARM
46	2	61-S413-14-4	2" SPACER
47	2	61-S413-14-5	3/4" SPACER
48	2	61-S413-14-6	11/32" SPACER
49	2	20-SPR-SM194	TENSION SPRING
50	2	61-S413-26-1	DETENT ARM
51	2	16-BSH-123812	FLANGED PULLEY SPACER
52	3	19-GRP-78COMFORT	COMFORT GRIP
53	1	16-CAP-1	1" I.D. BLACK VINYL CAP
54	4	26-STD-PLAS117A	PLASTIC TUBE CUT TO 4 3/4"
55	6	14-OIL-381214	1/2 OD. x 3/8 ID. OILITE SLEEVE

HARDWARE

Key No.	Qty.	Part Number	Description
A	2	11-HEX-38334	3/8 x 3 3/4 HEX BOLT
B	1	11-HEX-38312	3/8 x 3 1/2 HEX BOLT
C	15	11-HEX-38234	3/8 x 2 3/4 HEX BOLT
D	2	11-HEX-38212	3/8 x 2 1/2 HEX BOLT
E	1	11-HEX-38214	3/8 x 2 1/4 HEX BOLT
F	4	11-HEX-382	3/8 x 2 HEX BOLT
G	3	11-HEX-38134	3/8 x 1 3/4 HEX BOLT
H	8	11-HEX-38112	3/8 x 1 1/2 HEX BOLT
I	4	11-HEX-381	3/8 x 1 HEX BOLT
J	84	13-FLT-38	3/8 USS FLAT WASHER
K	42	12-LOK-38	3/8 CENTER LOCK HEX NUT
L	1	11-SHL-124	1/2 x 4 SHOULDER BOLT
M	3	11-HEX-12134	1/2 x 1 3/4 HEX BOLT
N	8	13-FLT-12	1/2 FLAT WASHER
O	4	13-LOK-12	1/2 LOCKNUT
P	8	11-HEX-12334	1/2 x 3 1/2 HEX BOLT
Q	8	11-HEX-5161	5/16 x 1 HEX NUT
R	8	13-FLT-516	5/16 USS FLAT WASHER
S	2	ESTO BUMPER	1 1/2" OD x 3/4" ID FOR 5/16" HEX BOLT
T	4	11-HEX-14112	1/4 x 1 1/2 HEX BOLT
U	4	12-LOK-14	1/4 LOCK NUT
V	8	13-FLT-14	1/4 USS FLAT WASHER
W	2	12-CAP-38	3/8 CAP (ACORN) NUT
X	4	11-HEX-383	3/8 x 3 HEX BOLT